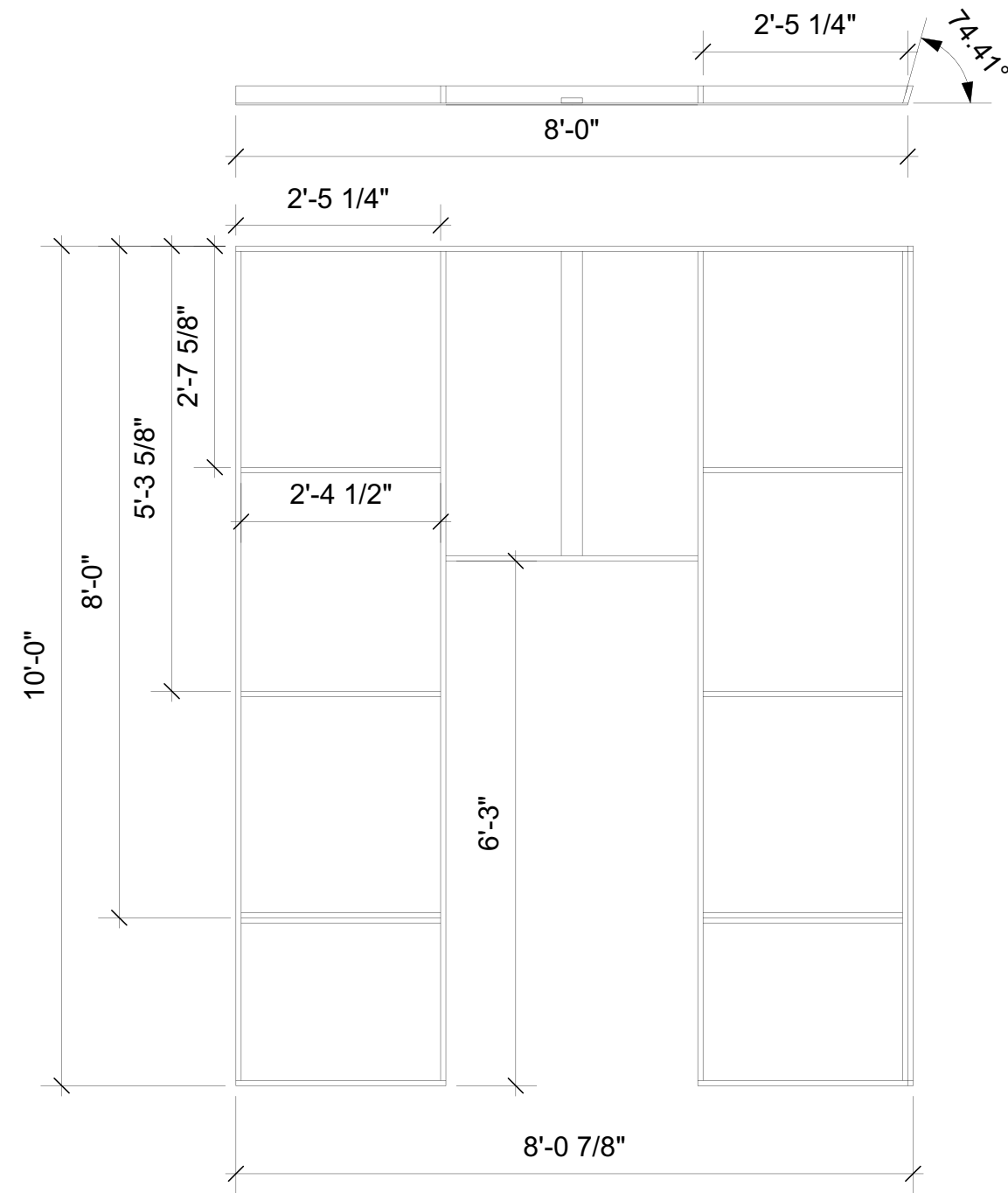


1 Groundplan
Scale: 3/16" = 1'-0"

ISSUE	DATE	REVISION
SHOW	Murder On The Nile	
DIRECTOR	Karen Weaver	DESIGNER Baz Wenger
DWG	Groundplan	
	DATE # 12/13/2022	DWG # 1 of 7
	SCALE @ A3 1/4" = 1'-0"	
	DRAWN BW	
	CHKD	REVISION

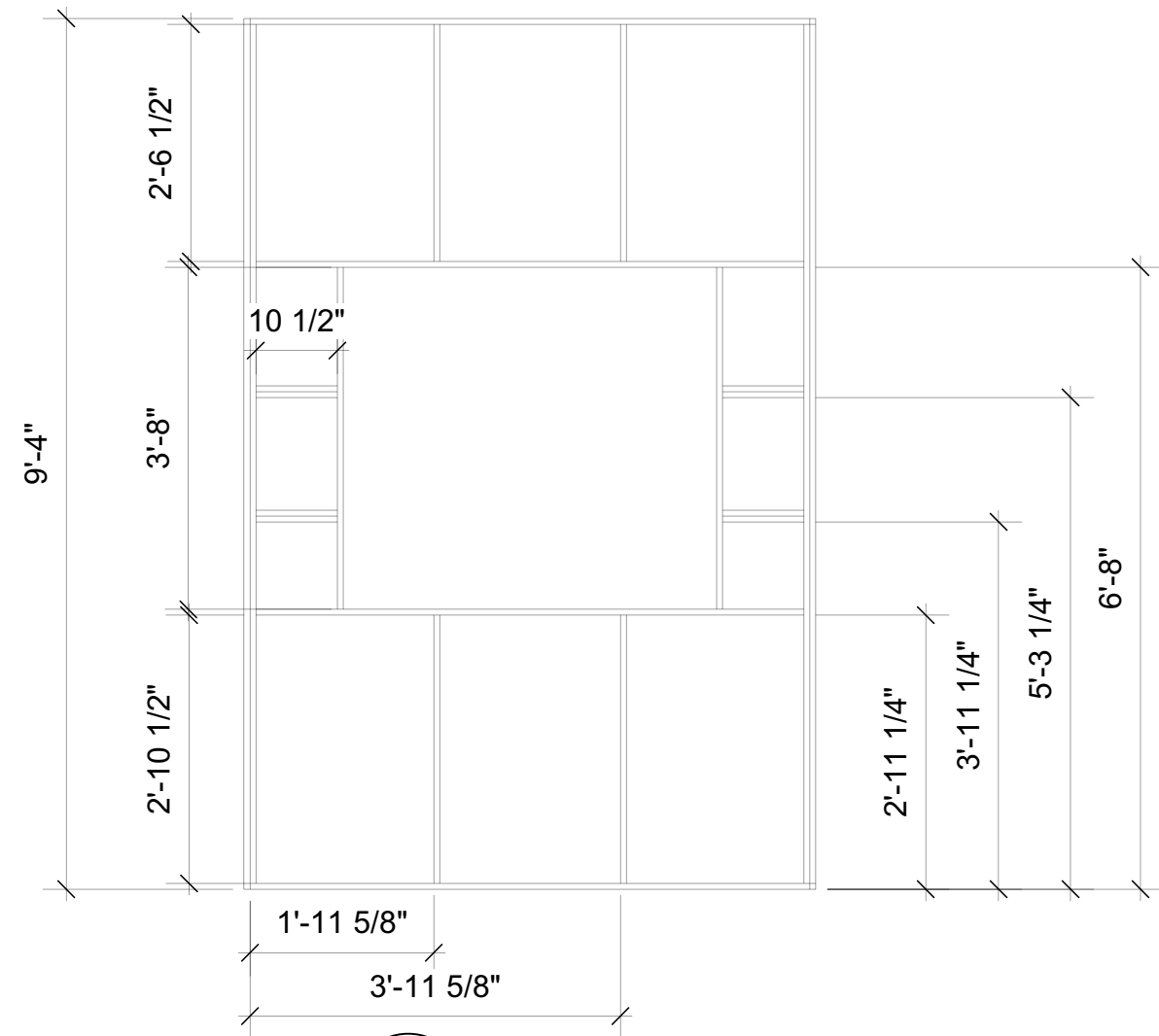
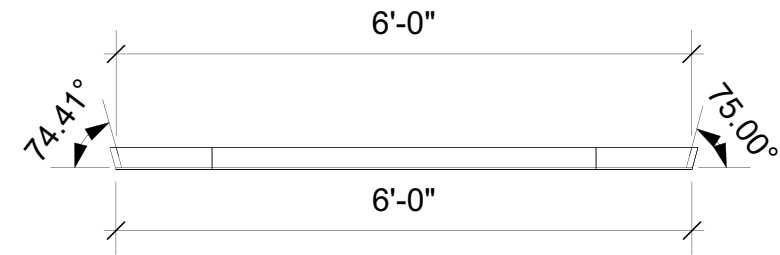
Milburn Stone Theatre at Cecil College W: www.milburnstone.com
1 Seahawk Dr. North East, MD 21901 T: 443-674-1936 E: bwenger@cecil.edu



1 Wall A/G
Scale: 1/2" = 1'-0"

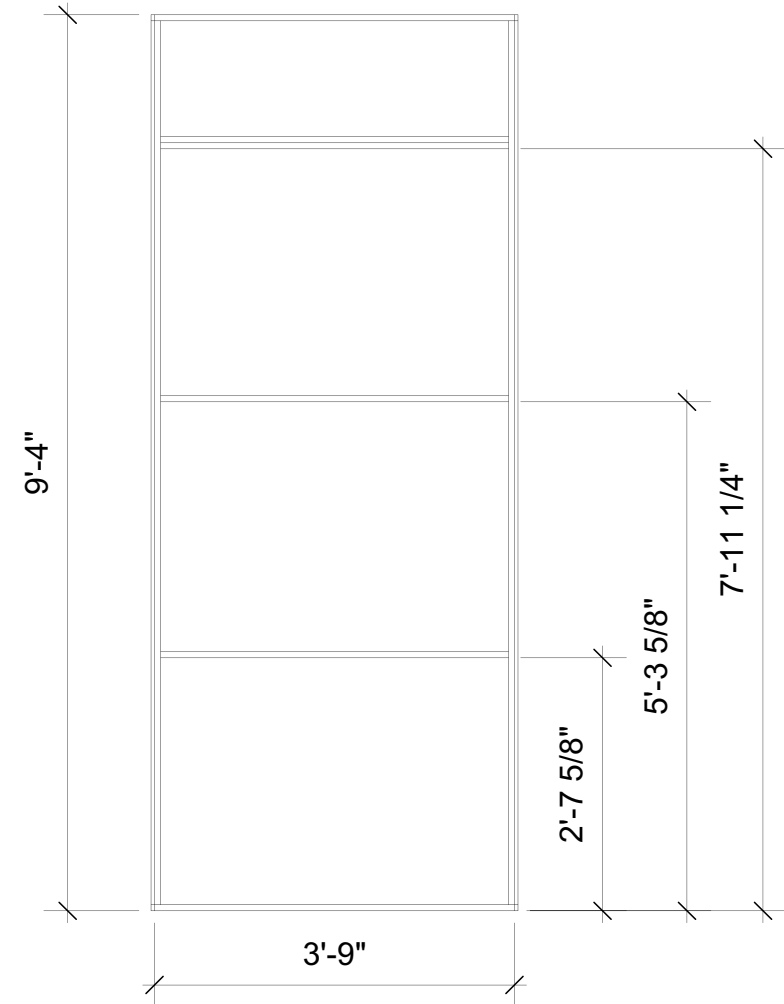
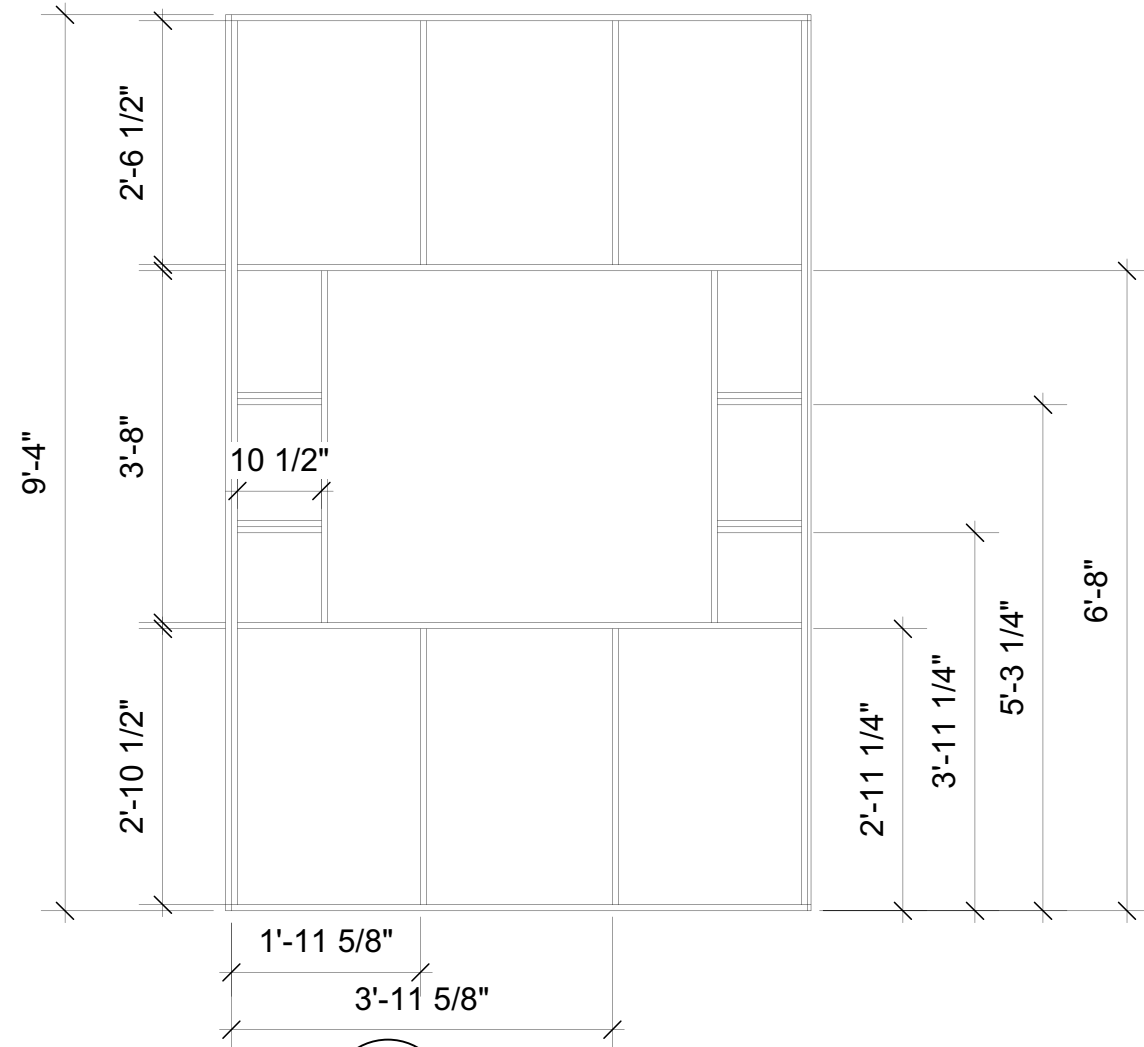
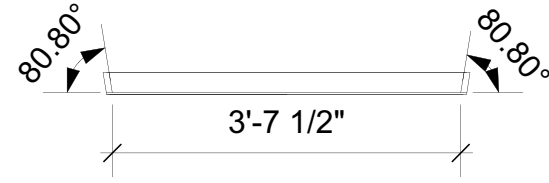
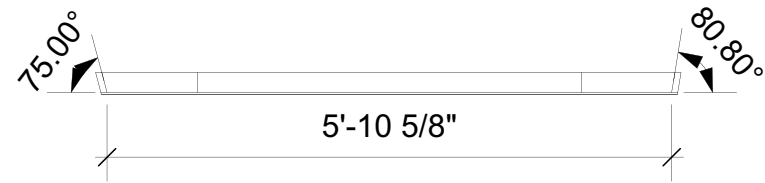
Unit Notes

- Build 2, Reverse and Repeat



2 Wall B
Scale: 1/2" = 1'-0"

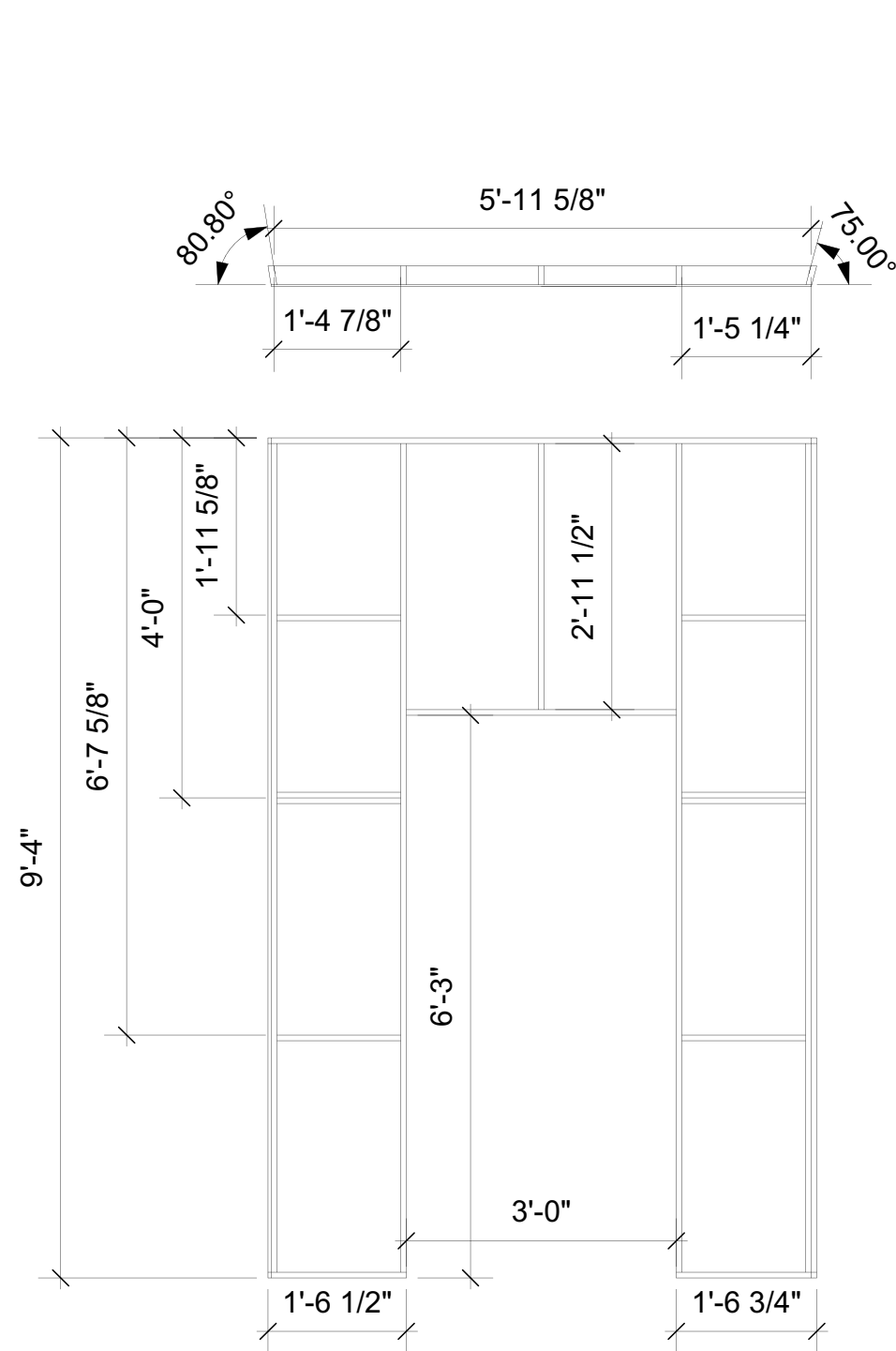
ISSUE	DATE	REVISION	
SHOW			Murder On The Nile
DIRECTOR	Karen Weaver	DESIGNER	Baz Wenger
DWG	Walls A/G, B	DATE #	12/3/2022
		SCALE @ A3	1/2" = 1'-0"
		DRAWN	
		CHKD	
		DWG #	2 of 7
		REVISION	



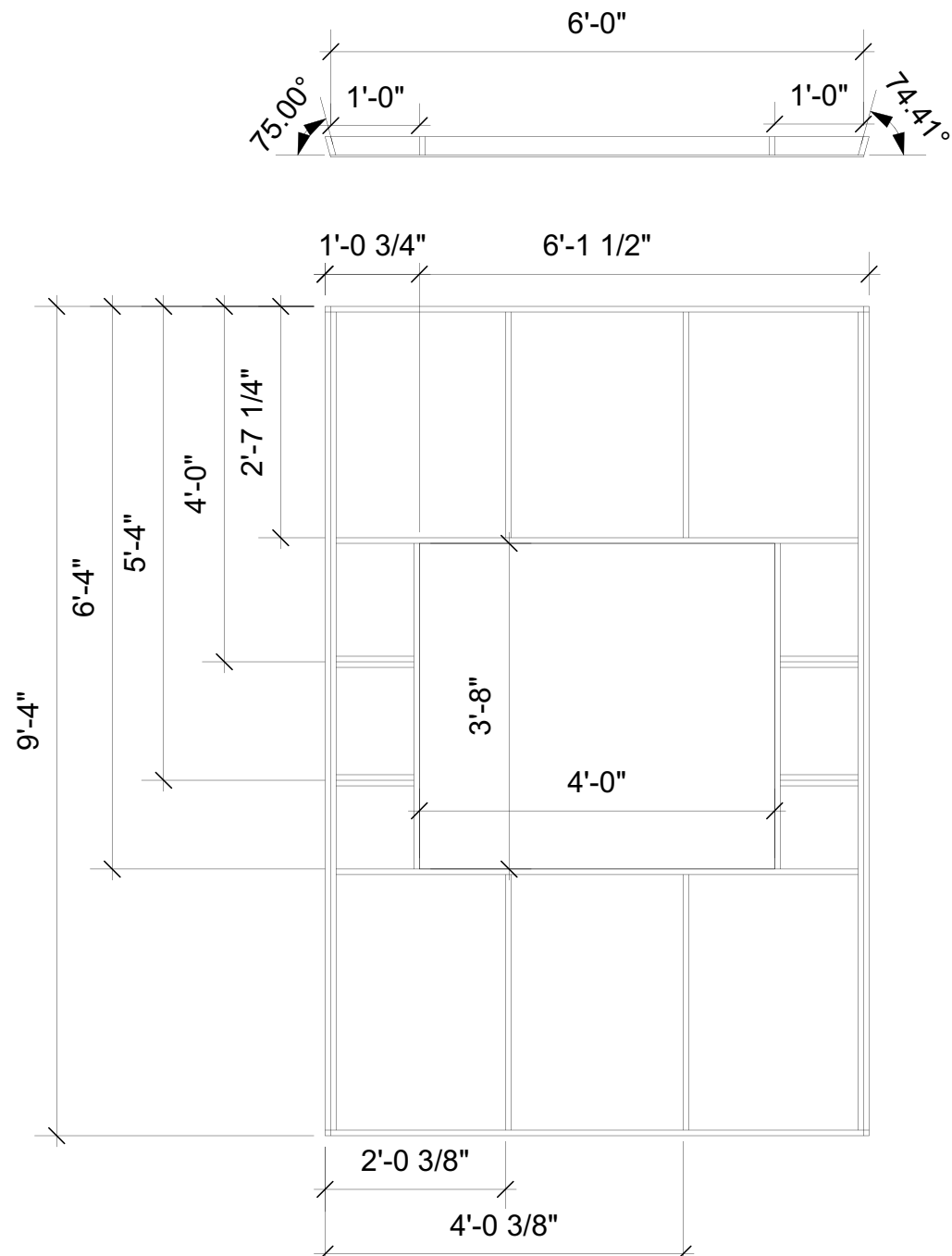
1 Wall C
Scale: 1/2" = 1'-0"

2 Wall D
Scale: 1/2" = 1'-0"

ISSUE	DATE	REVISION
SHOW	Murder On The Nile	
DIRECTOR	Karen Weaver	DESIGNER Baz Wenger
DWG	Walls C, D	
	DATE # 12/13/2022	DWG # 3 of 7
	SCALE @ A3 1/2" = 1'-0"	
	DRAWN	REVISION
	CHKD	

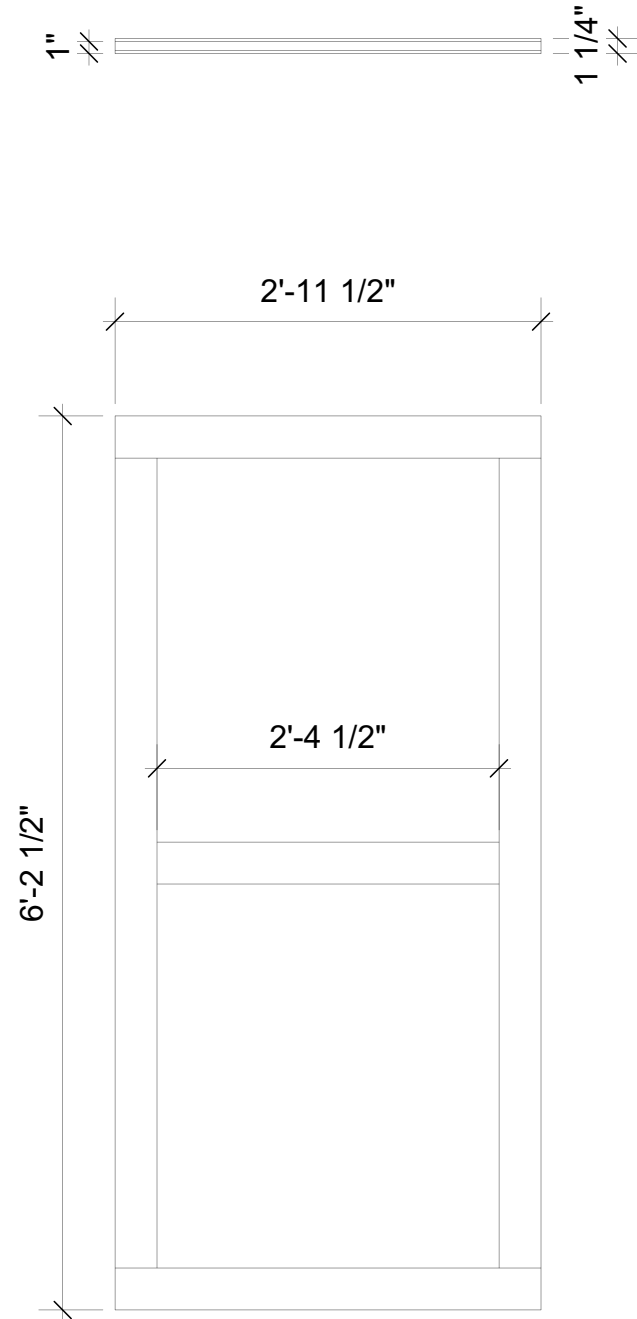


1 Wall E
Scale: 1/2" = 1'-0"



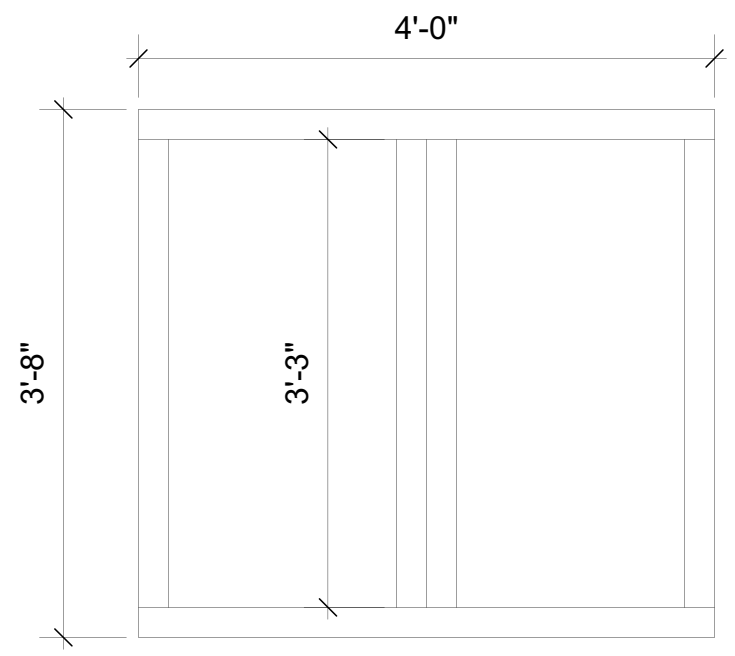
2 Wall F
Scale: 1/2" = 1'-0"

ISSUE	DATE	REVISION
SHOW	Murder On The Nile	
DIRECTOR	Karen Weaver	DESIGNER Baz Wenger
DWG	Walls E, F	
	DATE # 12/1/2022	DWG # 4 of 7
	SCALE @ A3 1/2" = 1'-0"	
	DRAWN	REVISION
	CHKD	



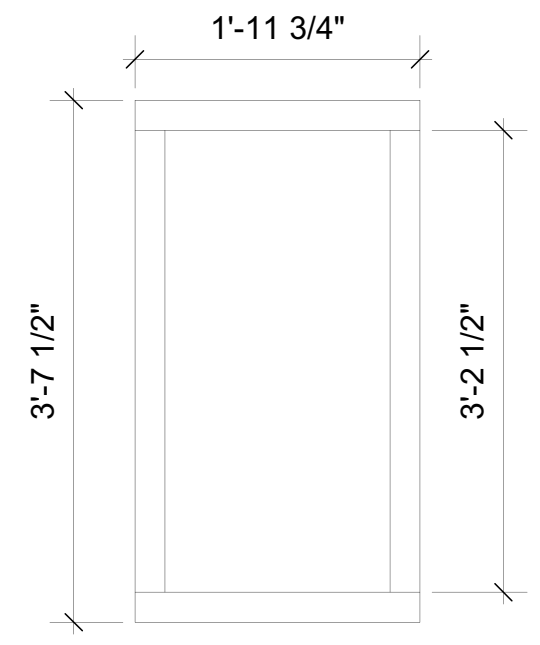
1 Doors
Scale: 3/4" = 1'-0"

- Door Notes
- Build 3
 - Cover Two Doors on a single side with Lauan
 - Cover One Door on both sides with Lauan



2 Faux Windows
Scale: 3/4" = 1'-0"

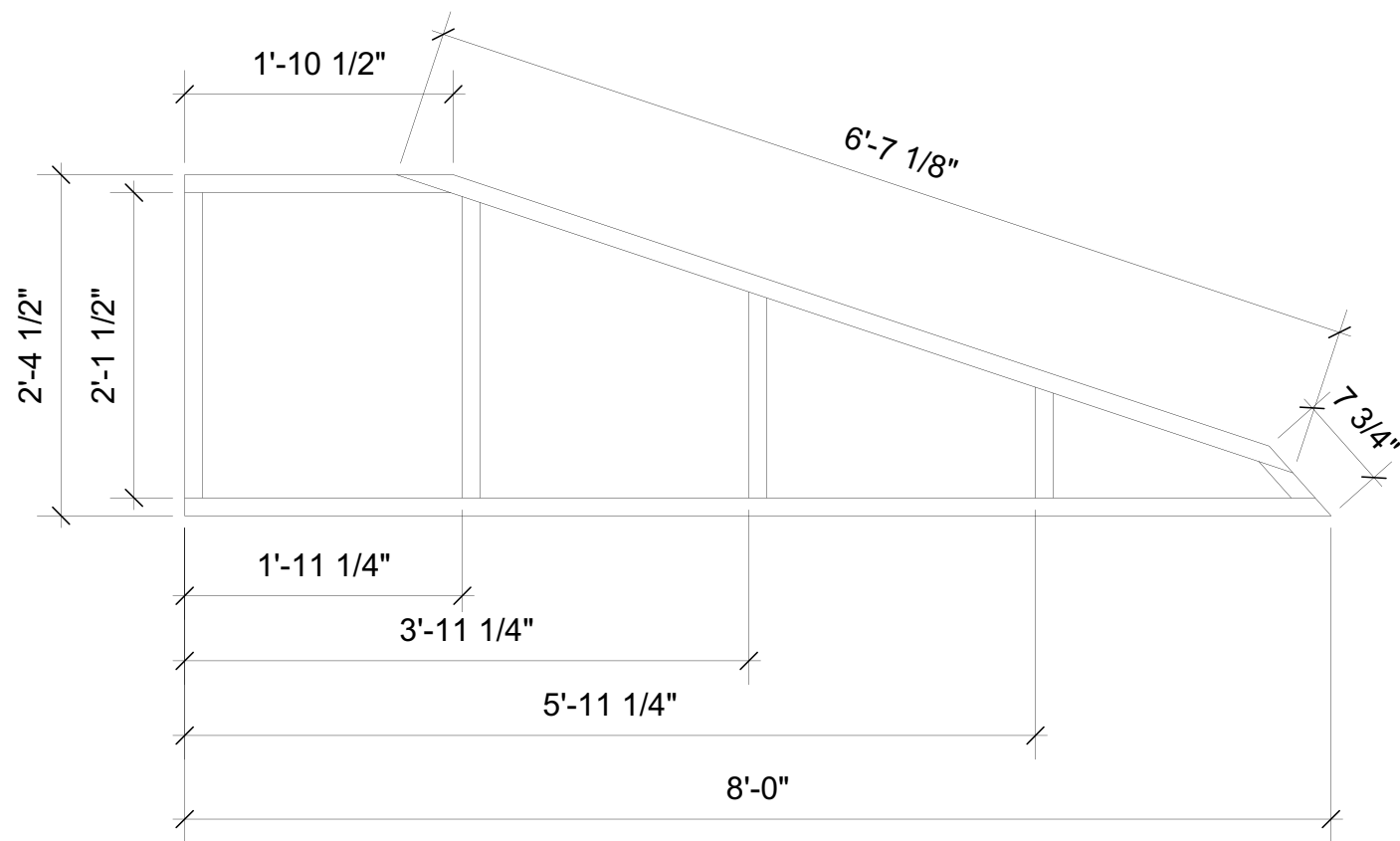
- Faux Window Notes
- Build 2
 - Fit within Wall B, C



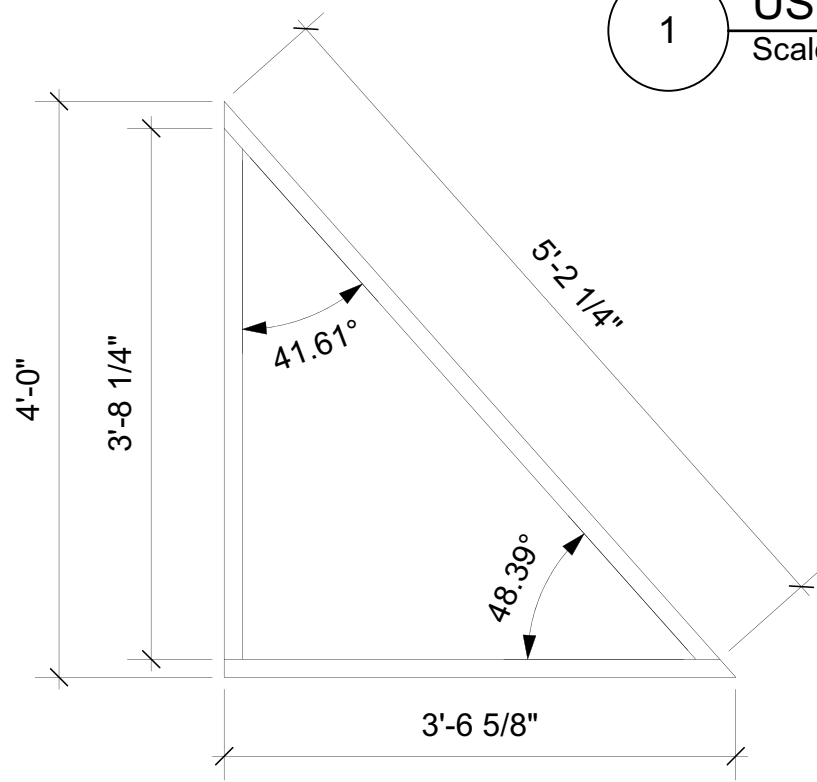
3 Practical Window
Scale: 3/4" = 1'-0"

- Practical Window Notes
- Build 2
 - Mount within Wall F
 - Ensure opens US

ISSUE	DATE	REVISION
SHOW		Murder On The Nile
DIRECTOR	DESIGNER	DATE #
Karen Weaver	Baz Wenger	12/13/2022
DWG	DRAWN	DWG #
Doors, Windows	CHKD	5 of 7
		REVISION



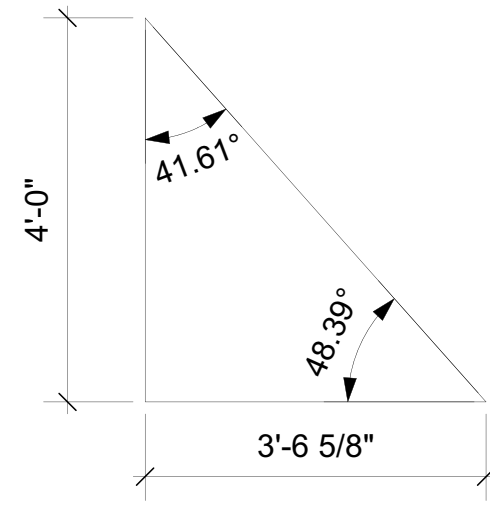
1 **US Platform Framing**
Scale: 3/4" = 1'-0"



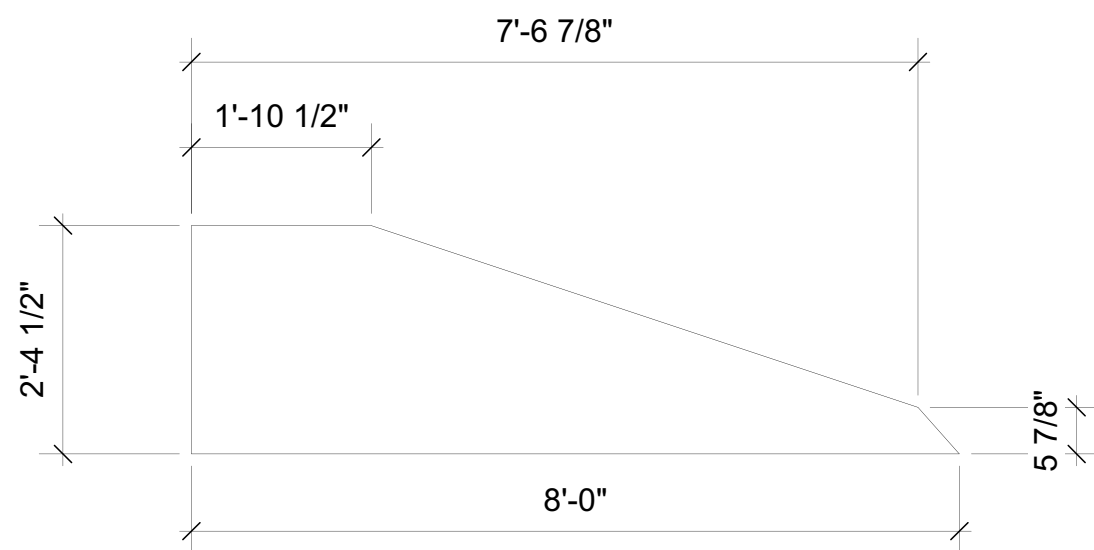
3 **DS Platform Framing**
Scale: 3/4" = 1'-0"

DS Platform Notes
1. Build 2, Reverse and Repeat

US Platform Notes
1. Build 2, Reverse and Repeat

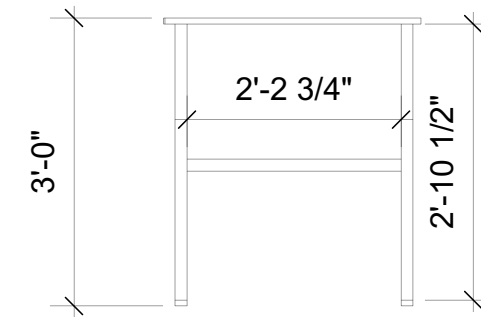
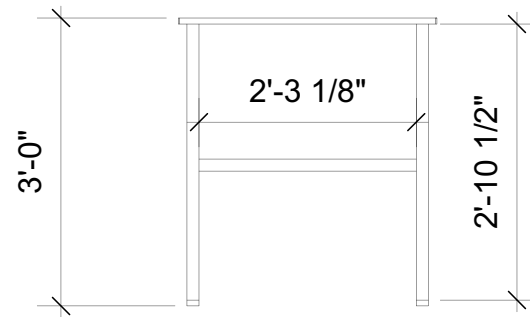
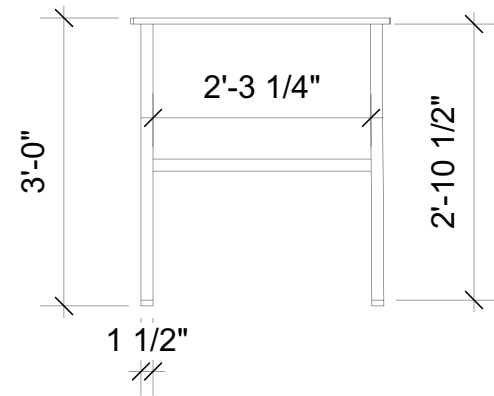
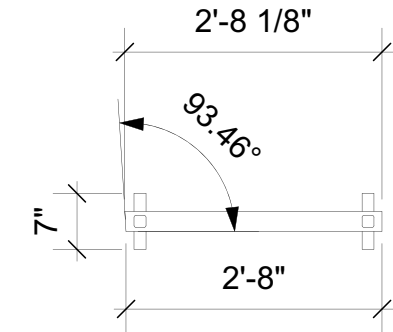
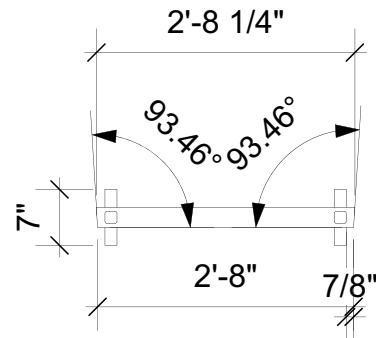
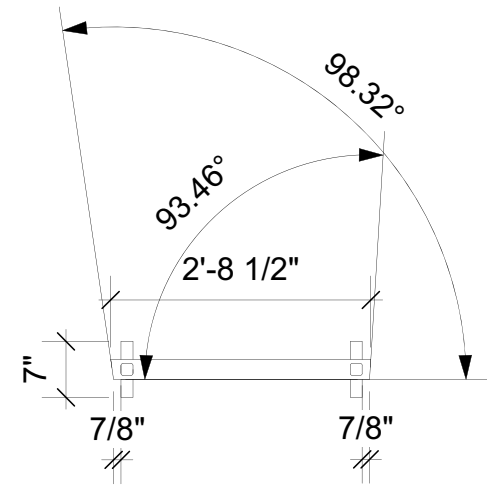


4 **DS Platform Sheet Layer**
Scale: 1/2" = 1'-0"



2 **US Platform Sheet Layer**
Scale: 1/2" = 1'-0"

ISSUE	DATE	REVISION	DWG #
SHOW		Murder On The Nile	
DIRECTOR	Karen Weaver	DESIGNER	Baz Wenger
		DATE #	12/13/2022
		SCALE @ A3 AS NOTED	6 of 7
DWG	Platforms	DRAWN	
		CHKD	REVISION



1 **CS Railing**
Scale: 1/2" = 1'-0"

CS Railing Notes

1. Build 2, Reverse and Repeat

2 **OffStage Railings**
Scale: 1/2" = 1'-0"

OffStage Railing Notes

1. Build 8, Reverse and Repeat 4

3 **Far OffStage Railings**
Scale: 1/2" = 1'-0"

Far OffStage Railing Notes

1. Build 2, Reverse and Repeat

ISSUE	DATE	REVISION	
SHOW	Murder On The Nile		
DIRECTOR	Karen Weaver	DESIGNER	Baz Wenger
DWG	Railing	DATE #	12/13/2022
		SCALE @ A3	1/2" = 1'-0"
		DRAWN	
		CHKD	
		REVISION	